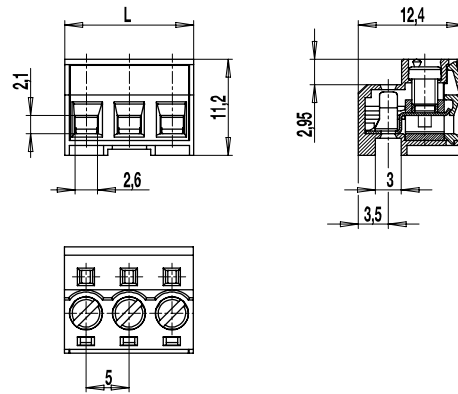


115-F-111

Plug connector
Screw connection



GENERAL INFORMATION

Pitch	5 mm
No. of poles	2 - 12
Usable with	all \varnothing 1,3 mm pin strips series 971-SLR, 971-SLR-THR, 971-SLR-SMD
Areas of application	Building and telecommunication technology, particularly for mass-production applications where space is limited.

TECHNICAL DATA

Clamping Range	<i>solid / stranded / AWG</i> 0,14 - 2,5 mm ² / 0,14 - 1,5 mm ² / 26 - 14 AWG		
Rated Cross Section	1,5 mm ²		
Wire Stripping Length	6 mm \pm 0,5 mm		
Overvoltage Category	III	III	II
Pollution Severity Level	3	2	2
Rated Voltage	250 V	320 V	630 V
Rated Impulse Voltage	4 kV	4 kV	4 kV
Rated Insulation Voltage	250 V acc. to EN 60998-1		
Rated Current	10 A		
Torque	0,5 Nm		

APPROVALS

	Current [A]	Voltage [V]	Group	AWG	[Nm]
	12	300	B	26 - 14	0,23
	10	300	D	26 - 14	0,23
	12	300	B	26 - 14	0,22
	10	300	D, E	26 - 14	0,22

CONFIGURATIONS

Poles	Part number	Article number	Length (L)	Packaging	PU
2	115-F-111/02	10.816.002	10,00 mm	Box	250
3	115-F-111/03	10.816.003	15,00 mm	Box	250
4	115-F-111/04	10.816.004	20,00 mm	Box	250
5	115-F-111/05	10.816.005	25,00 mm	Box	100
6	115-F-111/06	10.816.006	30,00 mm	Box	100

further number of poles on request

MATERIAL

Moulding	PA, grey, V-0
Comparative Tracking Index	CTI \geq 600
Insulating Group	I
Temperature Range	-40°C up to 100°C
Terminal body	Nickel plated brass
Pressure clamp	Copper alloy, tin plated
Screw	M3; zinc plated steel, blue passivated
Spring	Copper alloy, tin plated

OPTIONS / ACCESSORIES

- Consecutive numbering
- Special marking according to drawing
- Self-adhesive marking strip BST-5,00

